

Similar Image



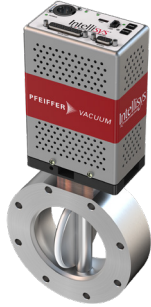
Throttling J-Lock valve, DeviceNet™ controller

HV throttling butterfly valve, DN 80 ISO, QPD controller,
partially sealing, 24 VDC, SS

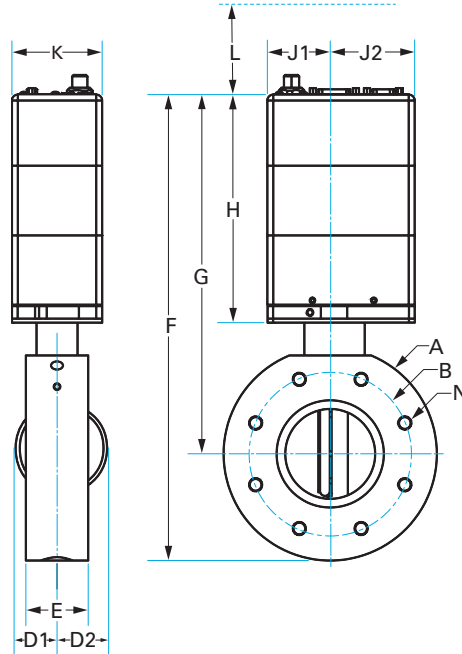
Part number: TBJQPDNN-L073

Throttling J-Lock valve, DeviceNet™ controller
HV throttling butterfly valve, DN 80 ISO, QPD controller, partially sealing, 24 VDC, SS

- Adaptive algorithm for improved stability and faster transitions
- Space saving, low cost design
- High reliability, low particle generation
- Can be operated in any orientation
- Body can be heated up to 200°C with optional heaters
- CE marked/fully REACH and RoHS compliant



Similar Image



Dimensions (in inches)	
Dim A	6.50"
Dim B	4.92"
Dim C	0.354"
Dim D-1	1.18"
Dim D-2	1.65"
Dim E	1.90"
Dim F	14.2"
Dim G	10.9"
Dim H	6.97"
Dim J-1	1.93"
Dim J-2	2.56"
Dim K	2.76"
Bolt Hole Dia.	0.359"
# Bolt Holes	8

TBJQPDNN-L073

Parameters	Specifications
Valve / Flange Size	DN 80 ISO-F
Communications Interface	DeviceNet™
Additional Controller Features	none
Flange Size / Type	DN 80 ISO-F
Controller Communications	DeviceNet™ system interface; RS232 service port
Supply Voltage	24 V DC (±5 %)
Power Connector	XLR, 5-pin, Female
Gauge Power Supply	not included
Pressure Range	1 · 10 ⁻⁸ mbar to 1.1 bar
Max Differential at Opening	1100 mbar
Max Temp (body)	150 °C

Throttling J-Lock valve, DeviceNet™ controller
HV throttling butterfly valve, DN 80 ISO, QPD controller, partially sealing, 24 VDC,
SS
TBJQPDNN-L073

Parameters <i>(Continued)</i>	Specifications <i>(Continued)</i>
Temp. Limits (actuator)	5 °C (minimum), 45 °C (maximum)
Open / Close Time	625 ms/625 ms
Open Conductance	900 l/s
Min. Control Conductance	0.6 l/s
Material (valve body)	316L Stainless Steel
Material (valve mechanism)	316L Stainless Steel
Plate Seal	PTFE
Shaft Seal	FKM
Leak Rate (body)	1 · 10 ⁻⁹ mbar l/s
Service Life	5 million cycles
Weight	11.88 lbs

VACUUM SOLUTIONS FOR INDUSTRY & RESEARCH

Nor-Cal Products is a premier global source for custom and standard high and ultra-high vacuum chambers and components critical to the success of industrial, semiconductor, coating, analytics, and research applications. We offer an extensive selection of vacuum line fittings, hardware, valves and components which complement our custom manufacturing capabilities.

EARNING YOUR TRUST

Innovative engineering, precision manufacturing, exceptional service and expert technical support are cornerstones of our corporate culture and continuous improvement goals. Your trust is our most important asset.

INNOVATION SINCE 1962

An added value to working with Nor-Cal Products is how we apply our vacuum science and industry expertise to your production and research goals and timelines. We continue to develop new component lines and services to serve the demands of the exciting and ever emerging applications that require vacuum components.

Nor-Cal Products
Headquarters: USA
1-800-824-4166 or 530-842-4457
ncsales@n-c.com
www.n-c.com



RoHS2/REACH compliant
Conflict mineral regulations enforced

All data subject to change without prior notice.

